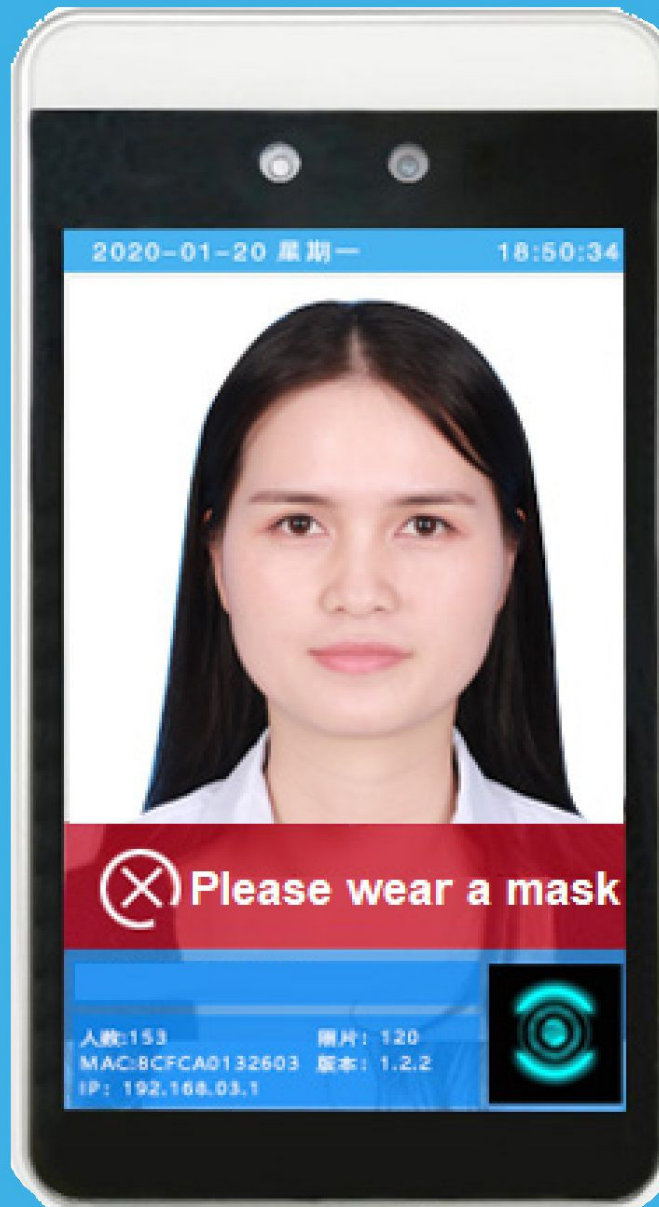




AXESS-ID

INSTANTANEOUS AND NON-CONTACT
MASK DETECTION & ACCESS CONTROL SYSTEM



Access control system with mask wear detector and hands-free sanitizer dispenser



Multi-languages support: English, Italian, Polish, German, Russian, Thai, Spanish, French, Arabic, Korean, Vietnamese, Indonesian, Czech, Romanian, Etc...



Main Features

- All-in-one sleek and modern design with non-contact hand sanitizer dispenser
- Since the outbreak of the new coronavirus in 2020, wearing a face mask has become a necessary means to prevent viral infections.
- The AXESS-ID can quickly identify employees and alert if they forgot to wear their face mask .
The detection distance of 0.5-1.5 meters avoids the risk of personal contact and transmission
- AXESS-ID makes sure that no one enters your facility without wearing a mask making it a safe environment for your employees and customers.



Mask wearing detection

Equipped with 2 HR cameras, the TEMP-ID analyses if the visitor is wearing a mask and if missing, a message will show on the screen to remind them to wear a mask (option can be deactivated)

Fast

Optimizing workflow and throughput, the **AXESS-ID** achieves reliable and fast detection in less than one second, it is the perfect solution for high traffic places.

All-in-one

AXESS-ID is an all-in-one system that is also equipped with a hands-free sanitizer dispenser in order to limit the chances of spreading the virus.

Plug and Play

The **AXESS-ID** is a standalone plug and play device. It is preconfigured before shipping and is ready to get to work as soon as you plug the unit into an outlet.

Economical

The **AXESS-ID** is an economical solution to reassure visitors, customers and staff. This device is currently used and appreciated in many countries around the world and contributes in reducing the spread of infectious diseases like COVID-19.

Server Software

A complete server software to manage your employees and control multiple devices is included with your **AXESS-ID**

Main Performance

- 8-inch LCD display.
- Industrial appearance, waterproof and dustproof design, stable and reliable.
- Supports face database, comparison recognition rate is over 97.7%, with a 0.1% misrecognition rate.
- Face recognition speed is less than 1 second
- Supports accurate face recognition and comparison even while wearing a mask
- Using industrial binocular wide dynamic camera with night infrared and LED dual fill light
- Detects if person is wearing a mask and alerts if missing

Specifications:

Resolution	1280*800 IPS panel
Display area	107.64(W)×172.224(H) mm
Brightness	200cd/m2
Number of Color	16.7M
Response time	8 (ms) approximately
Contrast	800:1
View angle	170°/170°(H/V)
Life Time	> 50000 (hours)
Power Supply	DC12V (±10%)
Power Consumption	14W
Camera	2.0Mpx, Binocular wide dynamic camera
Focus distance	50-150cm
White balance	Automatic
LED flash	LED and dual IR LED light compensation
Speaker	2.5W/4R
Face recognition	Support several face detection together

Face recording database	30,000 at most
1: N face recognition	Suport
1: 1 face comparison	Suport
Stranger detection	Suport
Identify distance configuration	Support
UI interface configuration	Support
Upgrade remotely	Support
Display interface	Interfaces include device management, personnel / photo management, record query, etc.
face detection distance	1 meter (optimal distance 0.5 meter)
Photo Formats	JPEG 、 BMP 、 GIF 、 PNG
Audio Formats	MP3、 WAV、 WMA
Video Format	MP4、 AVI、 DIVX、 XVID、 VOB、 DAT、 MPG、 MPEG、 RM、 RMVB、 MKV、
Shell Material	Aluminum+Metal
Bare diemension	238.24*128*21.48(mm), N.W.: 1.45kg
Touch Type	NO
Normal Working Temperature	0°C~60°C
Normal Storage Temperature	-20°C~60°C
Packing list	Machine * 1, power adapter * 1, manual * 1, certificate of conformity * 1
OSD Language	English, Chinese, French, German, Italian, Spanish,Arabic etc.

Mainboard Hardware Configuration

CPU	RK3288 Quadcore Cortex-A17 1.8GHz
RAM	DDR3 2G
Memory	8G
Internet connetcion	Wifi, RJ45
System	Android7.1
USB port	OTG*1, USB HOST*1
RS232	1
Relay output	1 signal output for door opening
Wiggins interface	26/34 output*1, 26/34 input
Upgrade	Support Uboot upgrade



Latest software upgrade features:

1. Language library

So far, it supports Simplified Chinese, Traditional Chinese, English, Italian, Polish, German, Russian, Thai, Spanish, French, Arabic, Korean, Vietnamese, Indonesian, Czech, Romanian, 21 languages including Japanese, Kazakh, Slovak, Dutch, and Portuguese [Brazil] can meet the needs of more countries and regions.

2. Face input

Local collection and entry of face, employee ID, name and other information

In addition, U disk batch import can be supported. Users can download the Excel template from [Staff Management]-[Employee List]-[Batch Add] on the cloud smart access management platform or smart access management platform (LAN version), fill in the personnel information in batches, and then Import data to the module via U disk

3. Pass records

Support to view the detailed pass records of the module, including name, identity, pass time, and captured face pictures, support select time period for query, and export pass records.

4. Face library

You can view the local face database, support deletion of face information and input of face information.

Product Features

1. Use 8 Inch IPS LCD screen with full viewing angle

2. Industrial grade, waterproof, dust free design, high end, steady and reliable quality

3. Support face recording database of 30,000. 1:1 face matching rate at more than 99.7%, 1:N face matching rate at more than 96.7%@0.1% FAR(False Accept Rate), Bio-assay detection accuracy rate at 98.3%@0.1% FAR, face detection and pass needs less than 1s

4. Support face accurate detection and matching when people wearing mask

5. Use industrial grade two-eye dynamic camera, with IR technology for night use, LED light compensation technology

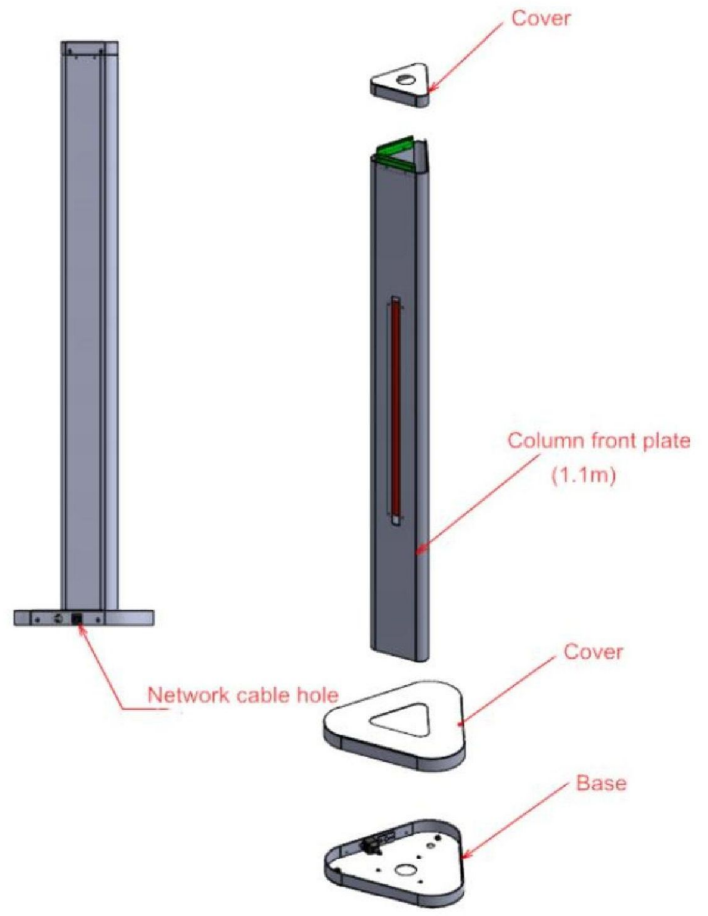
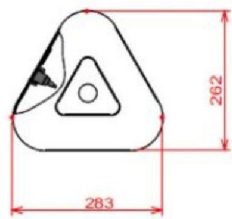
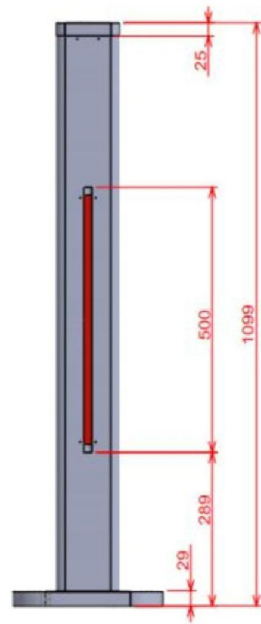
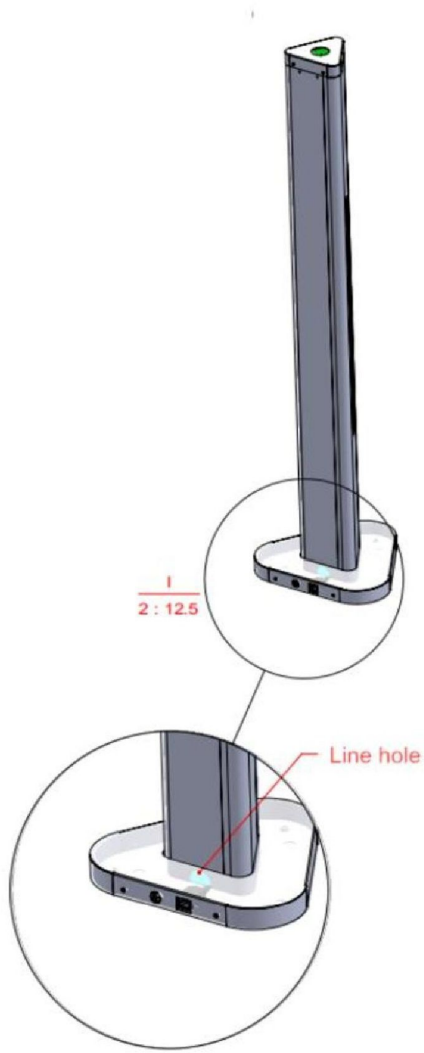
6. Has Rockchip RK3288 Quad-core CPU, RK3399 Six-core CPU, Qualcomm MSM8953 Octa-core processor on optional

7. Can be widely used in school, airport, subway station and train station, can work together with passage gate entrance access controller in community, office building, hotel, scenic spot, transportation junction or other public service area



Drawing:





Product Name: Standard for face recognition thermometer

Contact us.

CAN

CLAXATECH INC.

1188, Union Avenue, Suite
146 Montreal, Qc, H3B 0E5
514 394.7712

MEX

Cancun, Q.Roo, Mexico
+52 1 (998) 395 4404

claxatech.com

